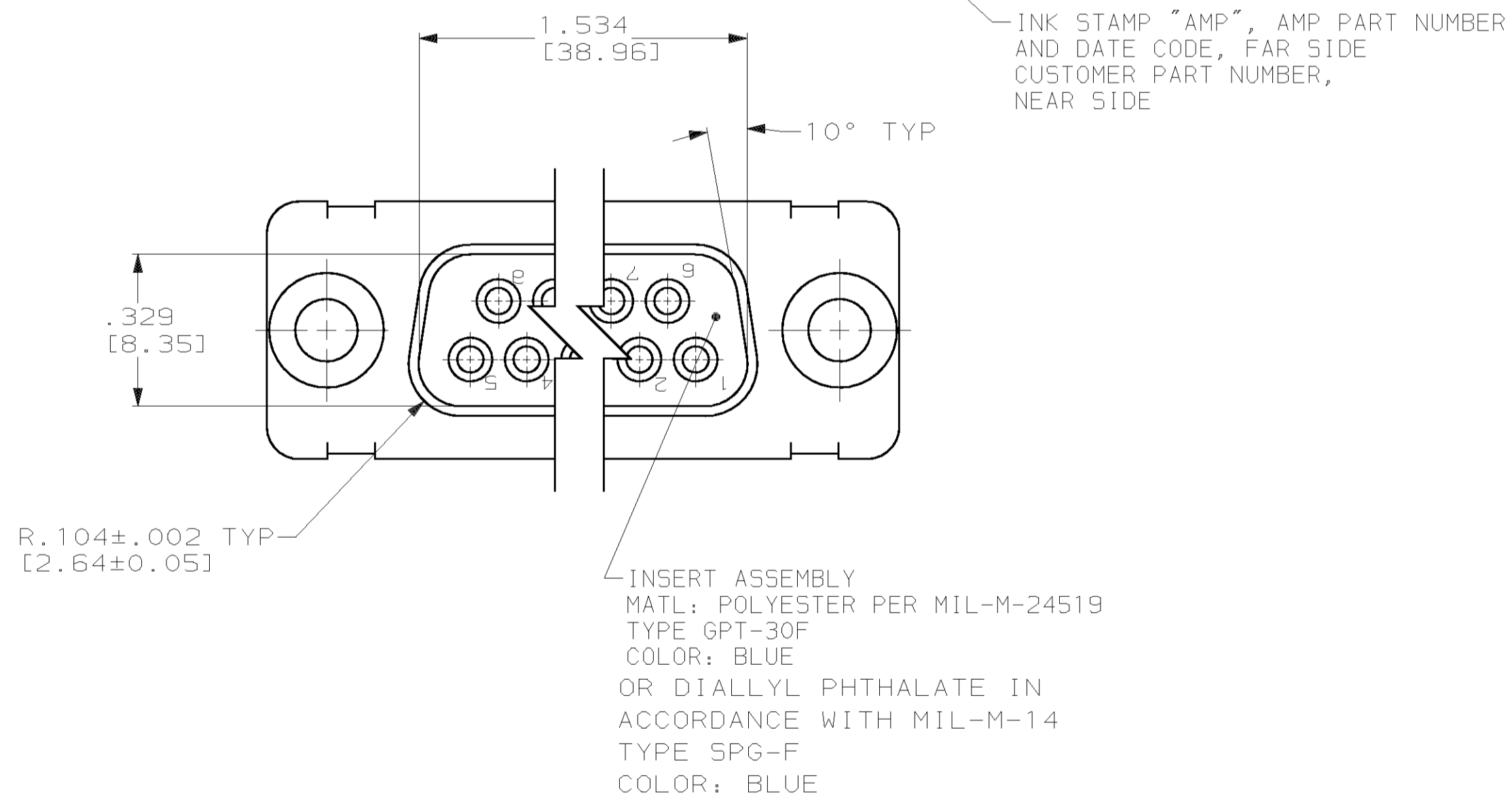
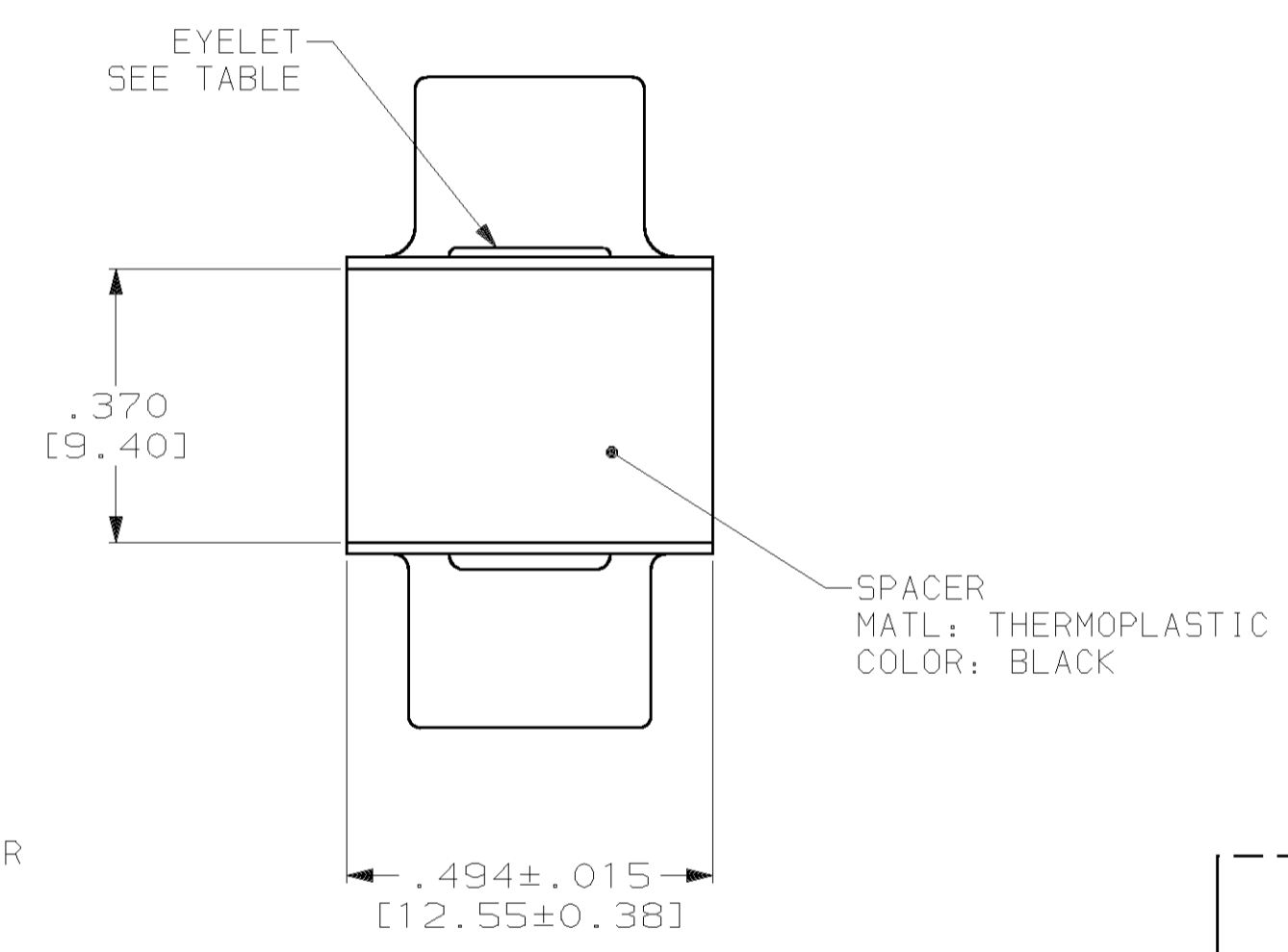
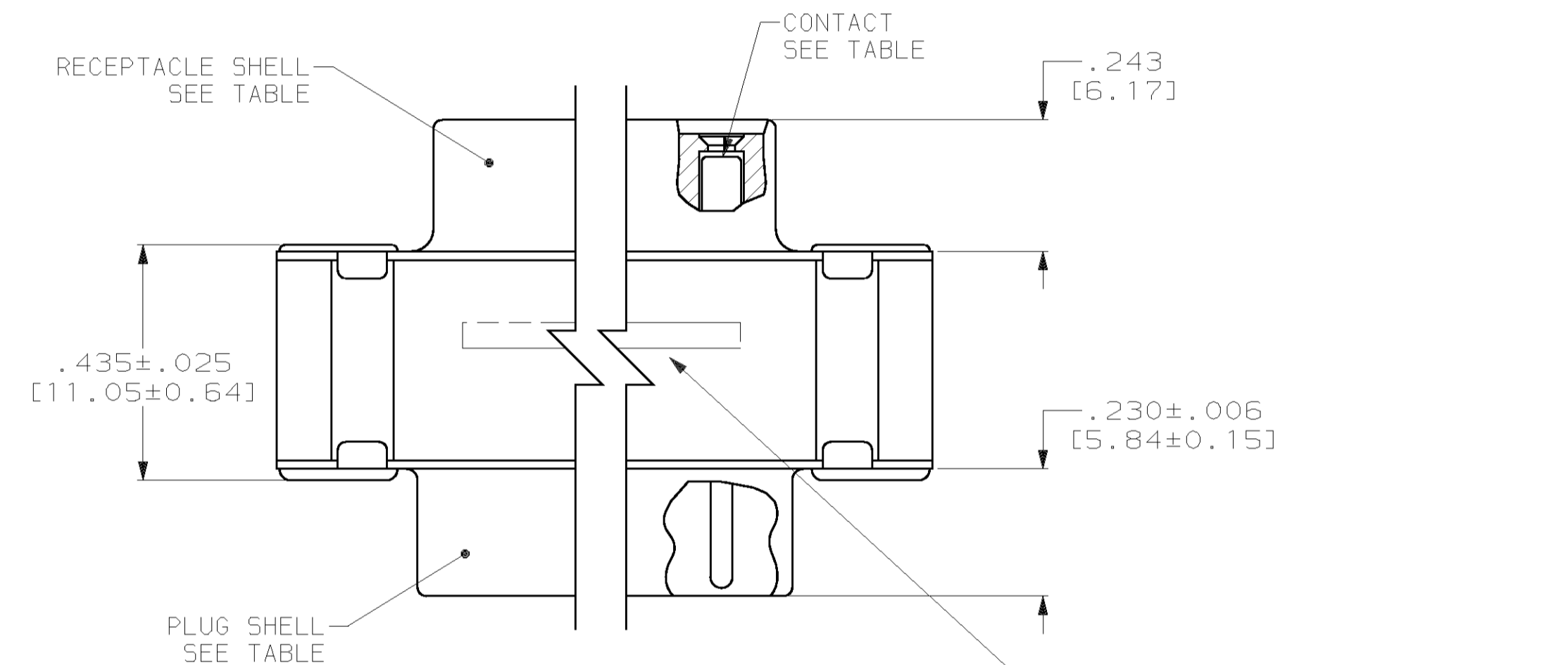
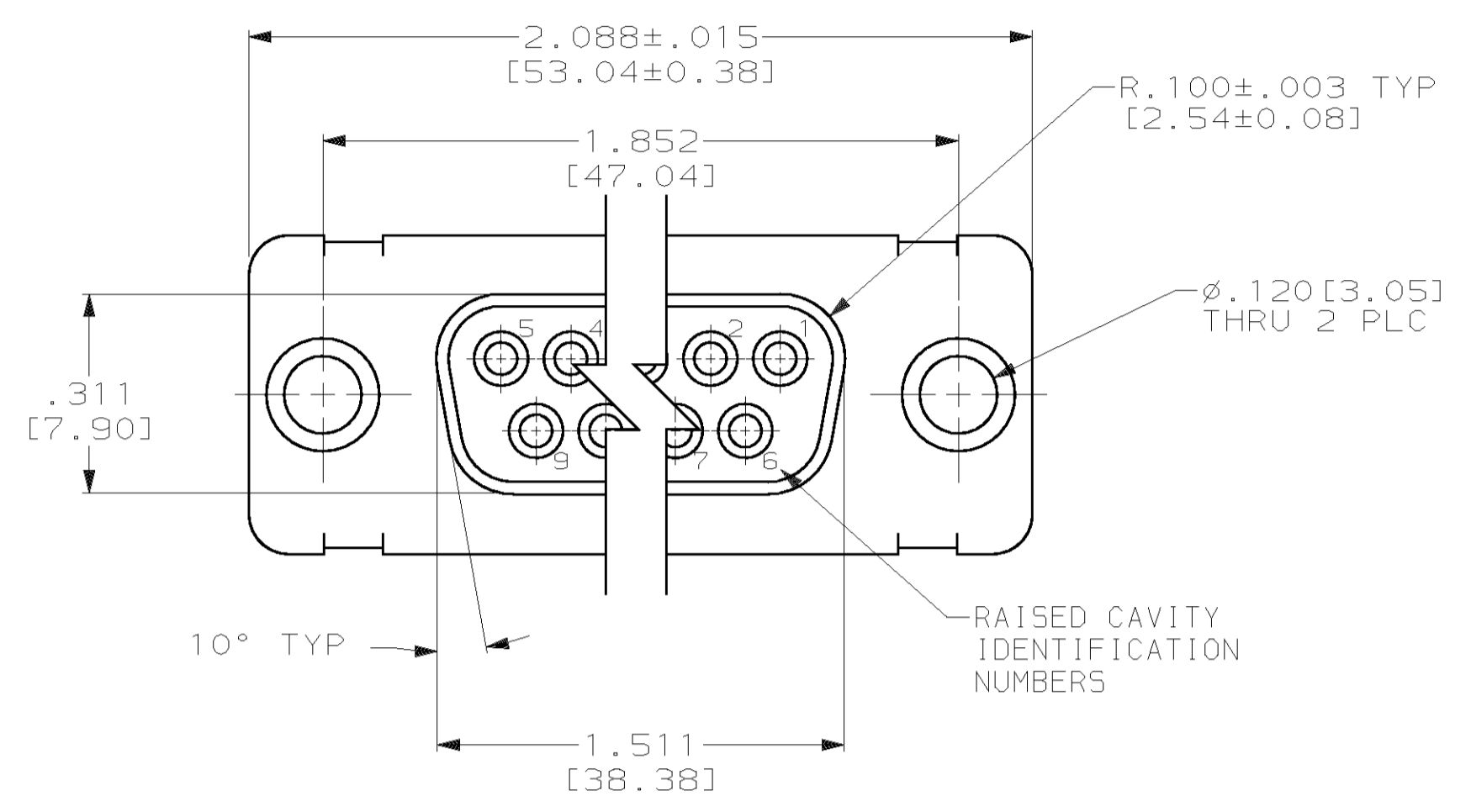
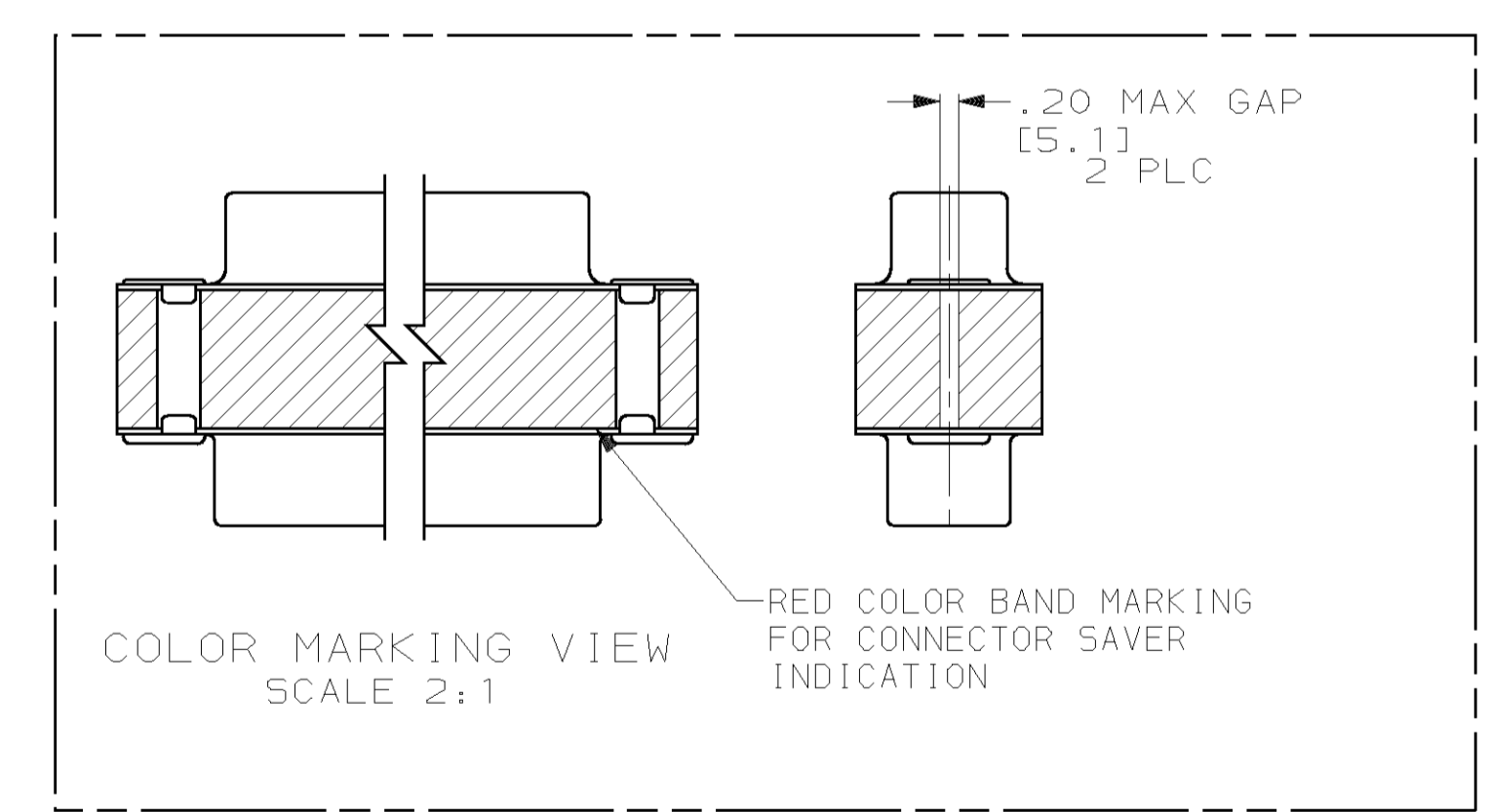


LOC		DIST		REVISIONS			
DF	DO	TR	LYR	DESCRIPTION	DATE	OWN	APVD
		C		REV PER 0630-320-01	5-02	CT	DM
		D		REV PER 0630-0619-02	7-03	JMK	LO



- CONTACTS INCLUDED IN ASSEMBLY.
- CONTACT
 BODY MATL: BERYLLIUM COPPER PER ASTM-B-197.
 BODY FINISH: PLATED GOLD, .000050 MIN THK PER MIL-G-45204 OVER NICKEL, .000050 MIN THK PER QQ-N-290.
 HOOD MATL: STAINLESS STEEL PER ASTM-A-167.
 HOOD FINISH: PASSIVATED PER ASTM-A-380
- MATL: BRASS PER ASTM-B-36.
- FINISH: PLATED GOLD, .000050 MIN THK PER MIL-G-45204 OVER COPPER, .000100 MIN THK PER MIL-C-14550.



3/4	3/4	2	4U884 SOCN R10002677-0003	1218305-2
3/4	3/4	2	(1J02-003)	1218305-1
EYELET	SHELLS	CONTACT	CUSTOMER P/N	PART NO.

THIS DRAWING IS A CONTROLLED DOCUMENT.		I. THOMPSON 19AU098		AMP Incorporated	
DIMENSIONS: IN (mm)		CHK: J. NORTON 19AU098		Harrisburg, PA 17105-3608	
TOLERANCES UNLESS OTHERWISE SPECIFIED:		APVD: J. NORTON 19AU098		NAME: AMPLIMITE CONNECTOR SAVER SERIES 109, SIZE 3, 25 POS NON-REMOVABLE CONTACTS	
0 PLC ±.01	1 PLC ±.02	2 PLC ±.03	3 PLC ±.005(0.13)	4 PLC ±.01	ANGLES ±.01
MATERIAL	FINISH	WEIGHT	SIZE	CAGE CODE	DRAWING NO
			A1	00779	1218305
CUSTOMER DRAWING			SCALE	SHEET	REV
			4:1	1 OF 1	D